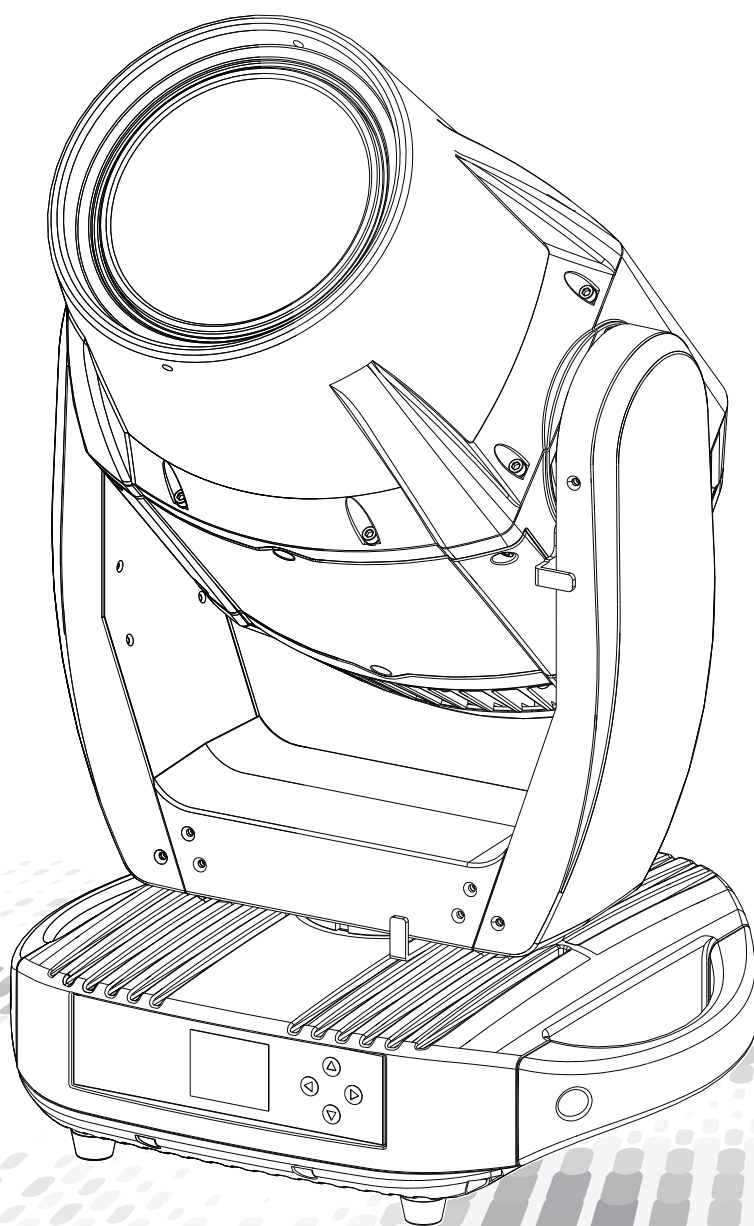


SHOWPRO

NEPTUNE 400 HYBRID

USER MANUAL

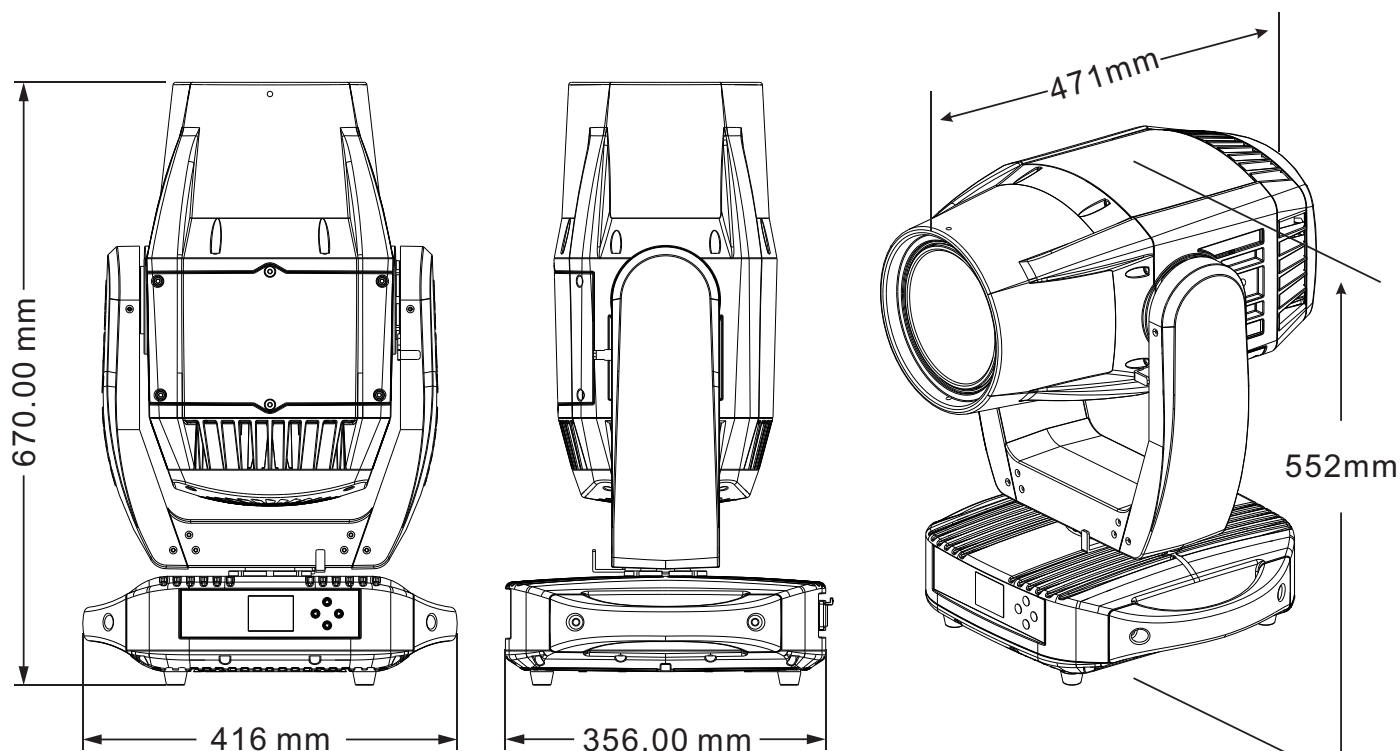
LEDMOV640



1 Product Introduction

1.1 Specification

Product Code	LEDMOV640
Unit Dimensions	416×356×670(mm)
Weight	34KG
Rated Power	400W
Input Voltage	AC100~240VAC,50/60Hz
Max Current	5A
Ambient Temperature	-20°C to 45°C
Beam Angle	3°~30°
Control Protocols	DMX512/RDM/ArtNet/sACN
Light Engine	300W White LED



1.2 Safety warning

IMPORTANT

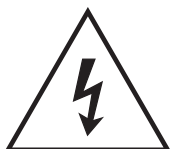
This lighting fixture is for professional use only and must be installed by a qualified technician. It is not for household use. It presents risks of severe injury or death due to fire hazards, electric shock and falls. It can create a fire hazard or a risk of eye injury if the safety precautions below are not followed.

- **Always operate the equipment as described in the user manual.**
- **A minimum distance of 0.5m must be maintained between the equipment and combustible surfaces.**
- **Ensure that the fixture is electrically connected to ground (earth).**
- **Disconnect the fixture from AC power when not in use.**
- **Always disconnect the power supply before attempting service or maintenance.**
- **Do not open the fixture or remove any cover. Refer any service operation not described in this manual to an authorized Show Technology Service Centre.**
- **Please protect the fixture and avoid damage during transport and installation. Damage to the fixture will adversely affect the water resistance of this product.**
- **Always ensure the supporting structure for this product is capable of supporting the full weight of this product in accordance to local regulations.**
- **Do not look directly into the light source.**
- **Please confirm that the power supply stated on the product is the same as the mains power supply in your area.**
- **Use product only in a well ventilated area.**
- **Do not open the fixture or remove any cover. Refer any service operation not described in this manual to an authorized Show Technology Service Centre**

ATTENTION



- This product left the place of manufacture in perfect condition. In order to maintain this condition and for safe operation, the user must always follow the instructions and safety warnings described in this user manual.
- Avoid shaking or strong impacts to any part of the equipment.
- Make sure that all parts of the equipment are kept clean and free of dust.
- Always make sure that the power connections are connected correctly and secure.
- If there is any malfunction of the equipment, contact your distributor immediately.
- Shields, lenses or ultraviolet screens shall be changed if they have become damaged to such an extent that their effectiveness is impaired.
- The lamp (LED) shall be replaced if it has become damaged or thermally deformed.



Caution, Risk of Electric Shock
The light source contained in this luminaire shall only be replaced by the manufacturer or a similar qualified person.

2 Installation

2.1 Mounting

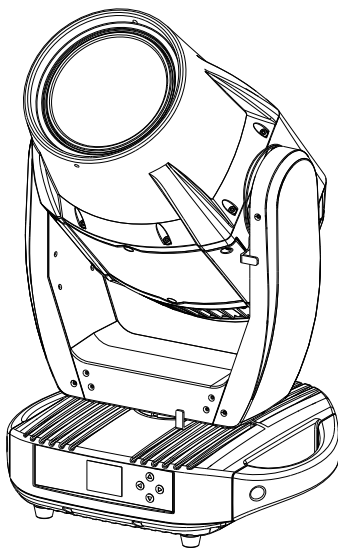
The fixture can be mounted in any orientation.

Ensure that all supporting structures, surfaces, fasteners and lifting equipment can support the weight of all the devices they are intended to support plus an adequate safety margin, and that they conform to local building and safety regulations.

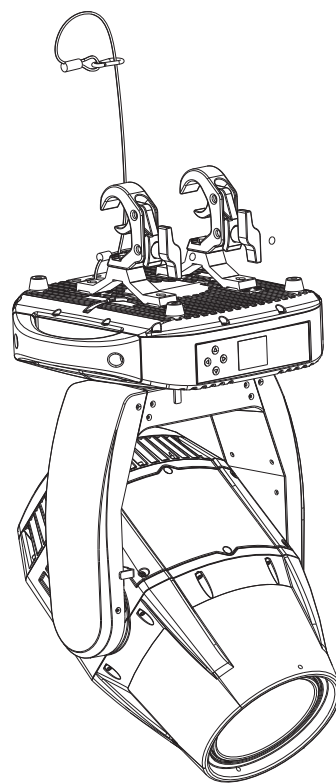
Always use a safety cable when mounting the fixture in any elevated position.

Warning! The safety and suitability of lifting equipment, installation location, anchoring method, mounting hardware and electrical installation are the responsibility of the installer. All local safety regulations and legal requirements must be observed when installing and connecting the fixture. Installation must be carried out by qualified professionals only.

Contact your ShowPRO supplier for assistance if you have any questions about how to install this product safely.



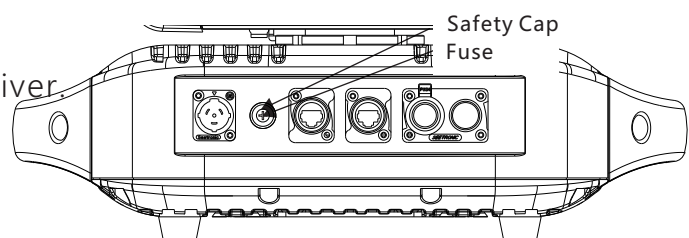
UPRIGHT



HANGING

2.2 Fuse replacement

- Remove the safety cap with a screwdriver
- Remove the old fuse from safety cap.
- Install a new fuse.
- Replace the safety cap.

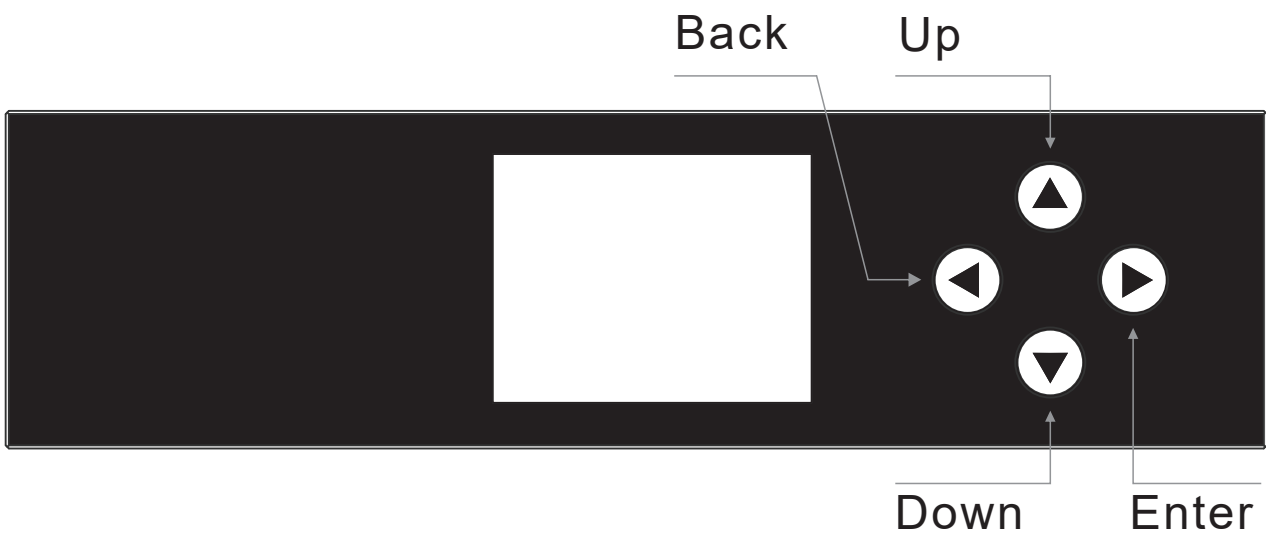


2.3 Power connections

This product has Seetronic PowerKon input and link output connections.

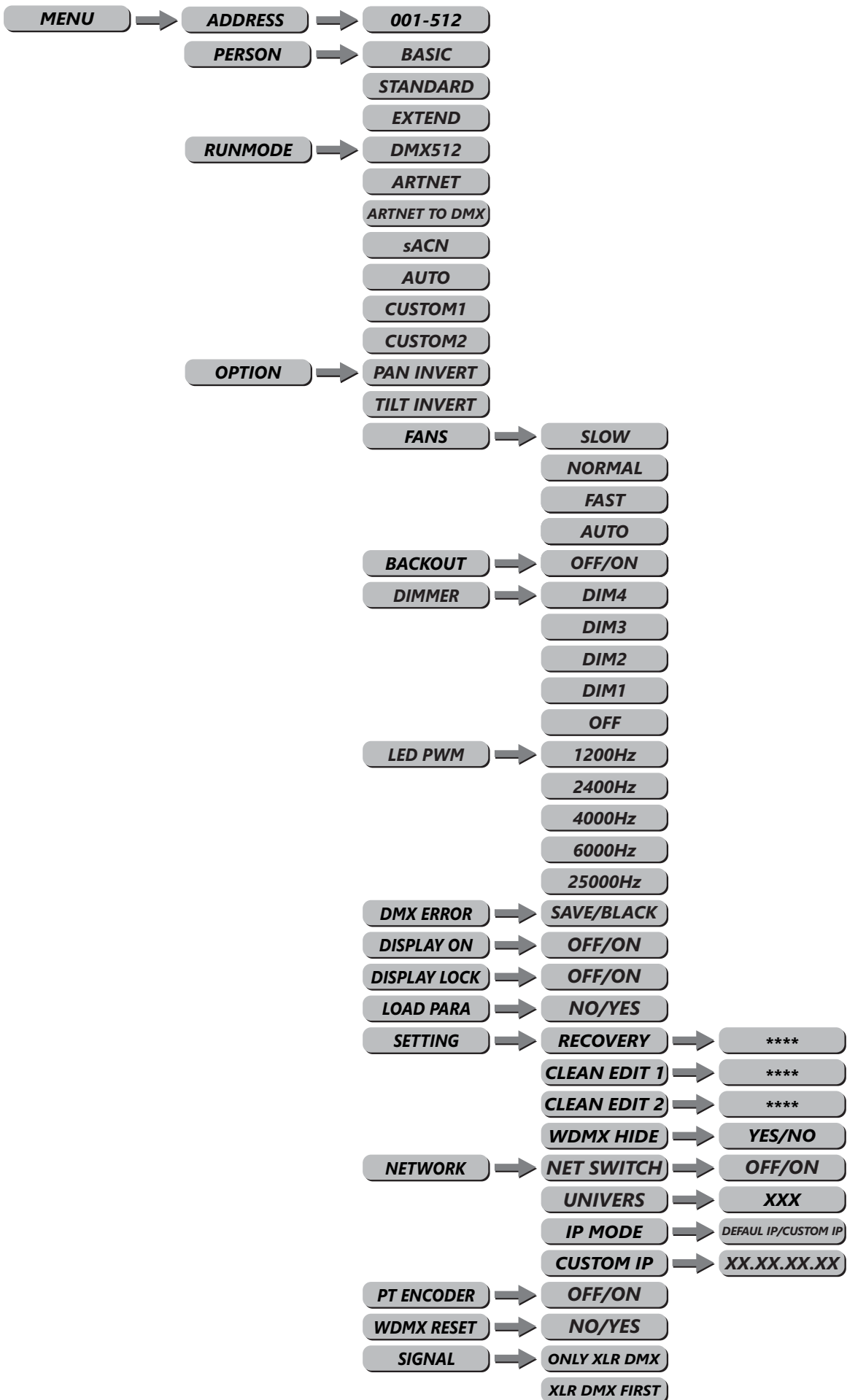
3 Display panel operation

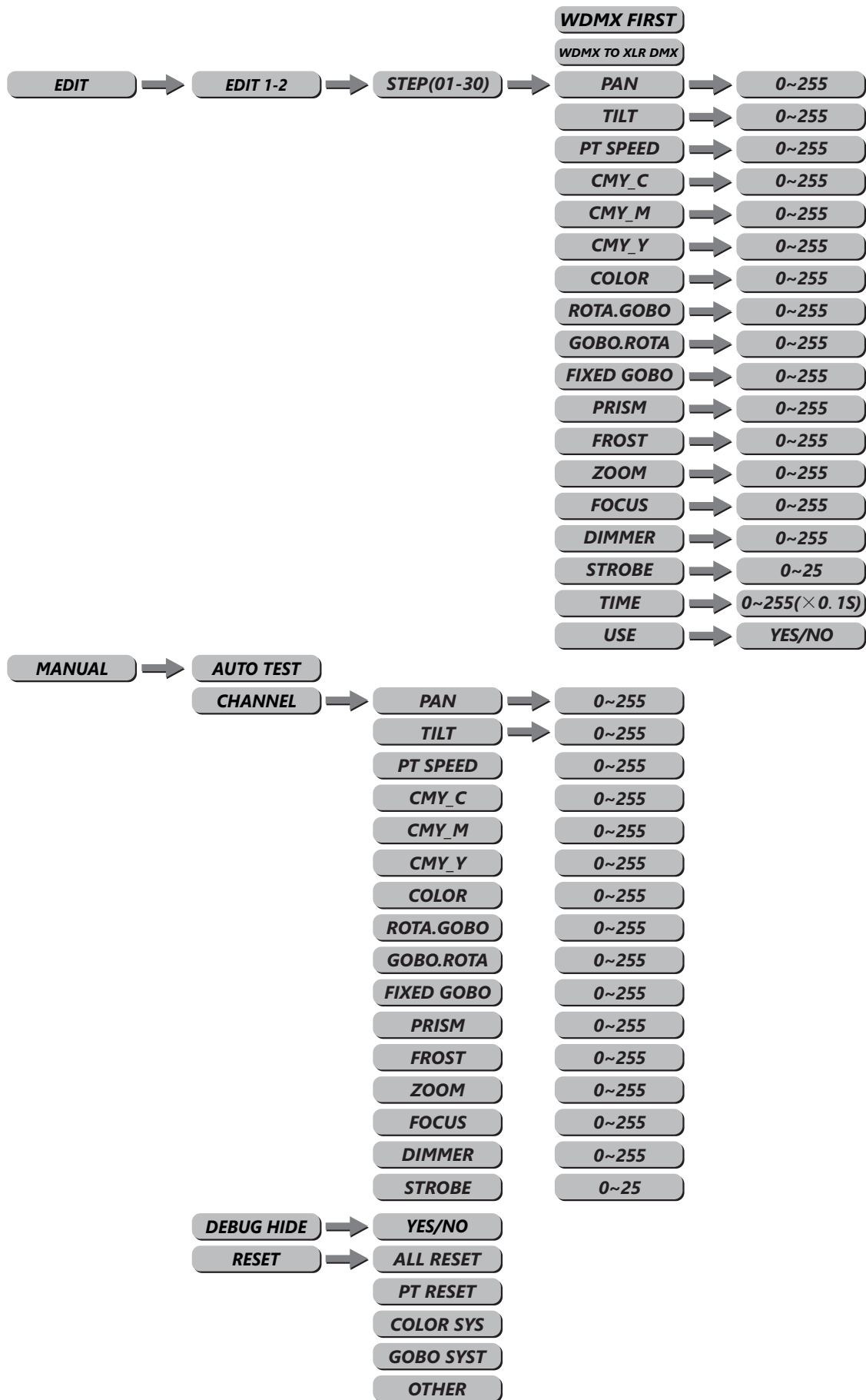
3.1 Display operation

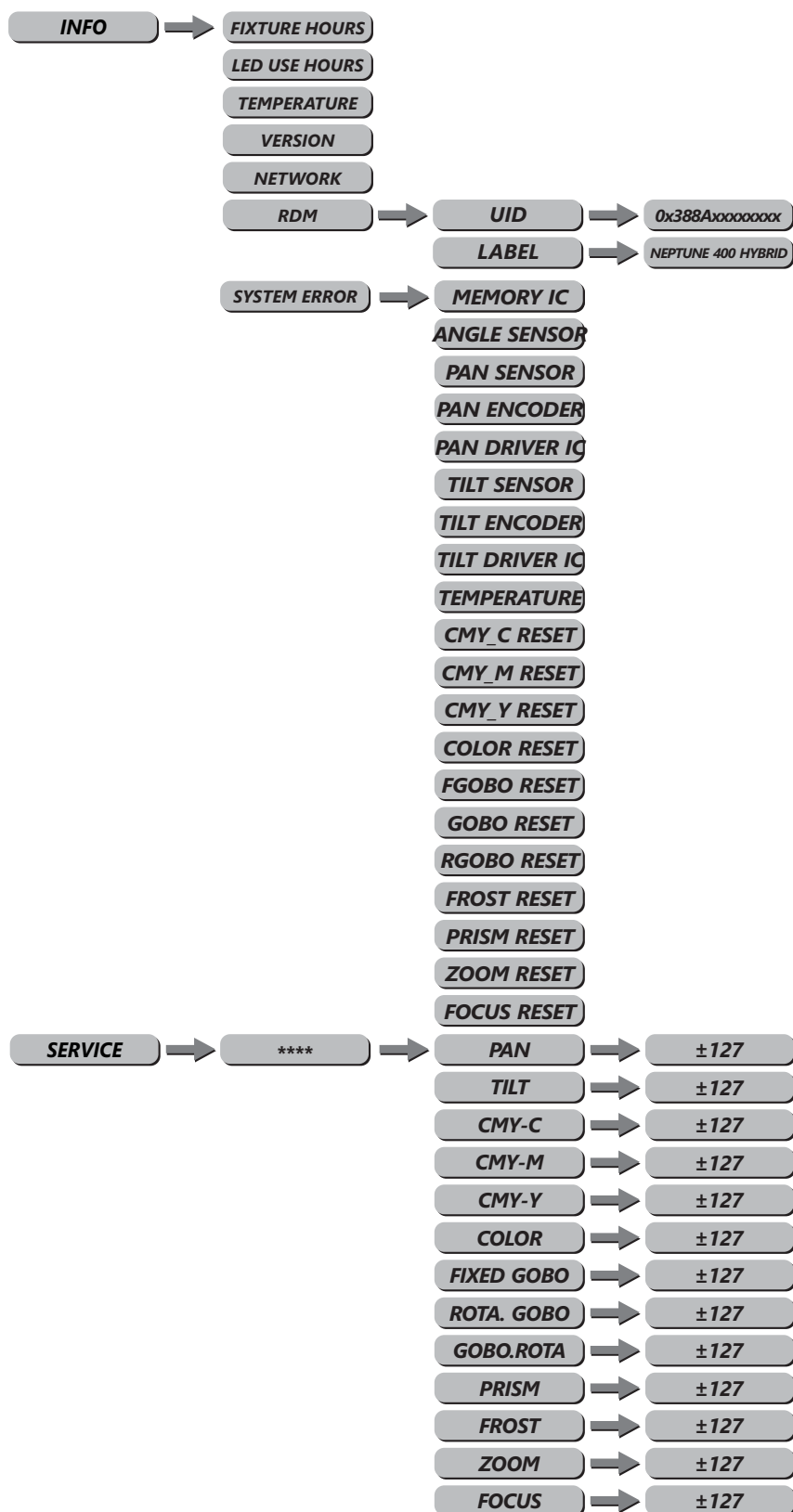


- <UP> Scroll 'UP' through the menu list or increase the value of the current function.
- <DOWN> Scroll 'DOWN' through the menu list or decrease the value of the current function.
- <BACK> Scroll through the main menu or exit current function.
- <ENTER> Enter the currently selected menu or confirm the current function value.
- To Unlock (Wake) the display:
 1. Keep pressing BACK around 5 seconds, until the display shows password prompt
 2. Press "<UP> <DOWN><UP><DOWN><ENTER>" to unlock.

3.2 Menu





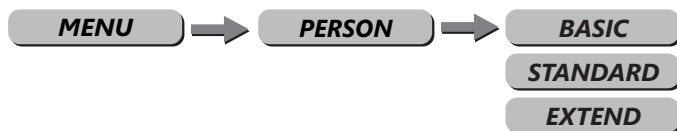


3.3 DMX Address



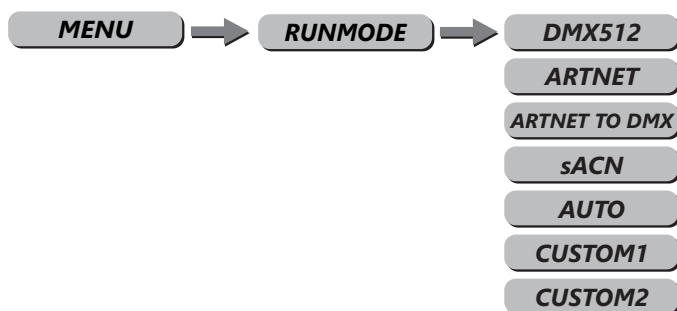
- Enter the **DMX** mode to set the DMX address.
- Enter Up/Down select **1~512** address.
- Enter **MENU** return.

3.4 Personality(Person)



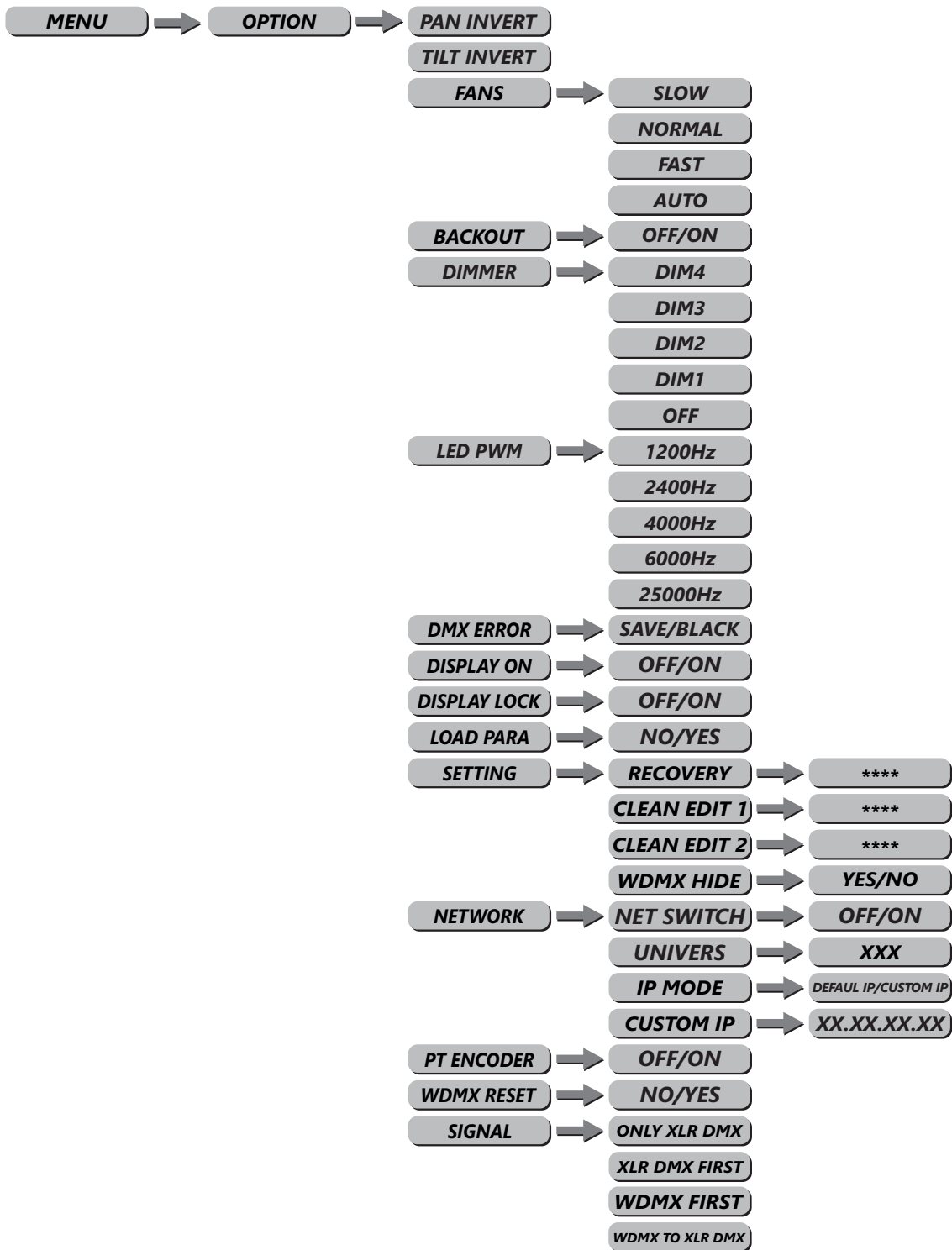
- Enter the **PERSON** mode to select DMX mode: **STANDARD** (24CH), **BASIC** (20CH), **EXTEND** (28CH).

3.5 Runmode



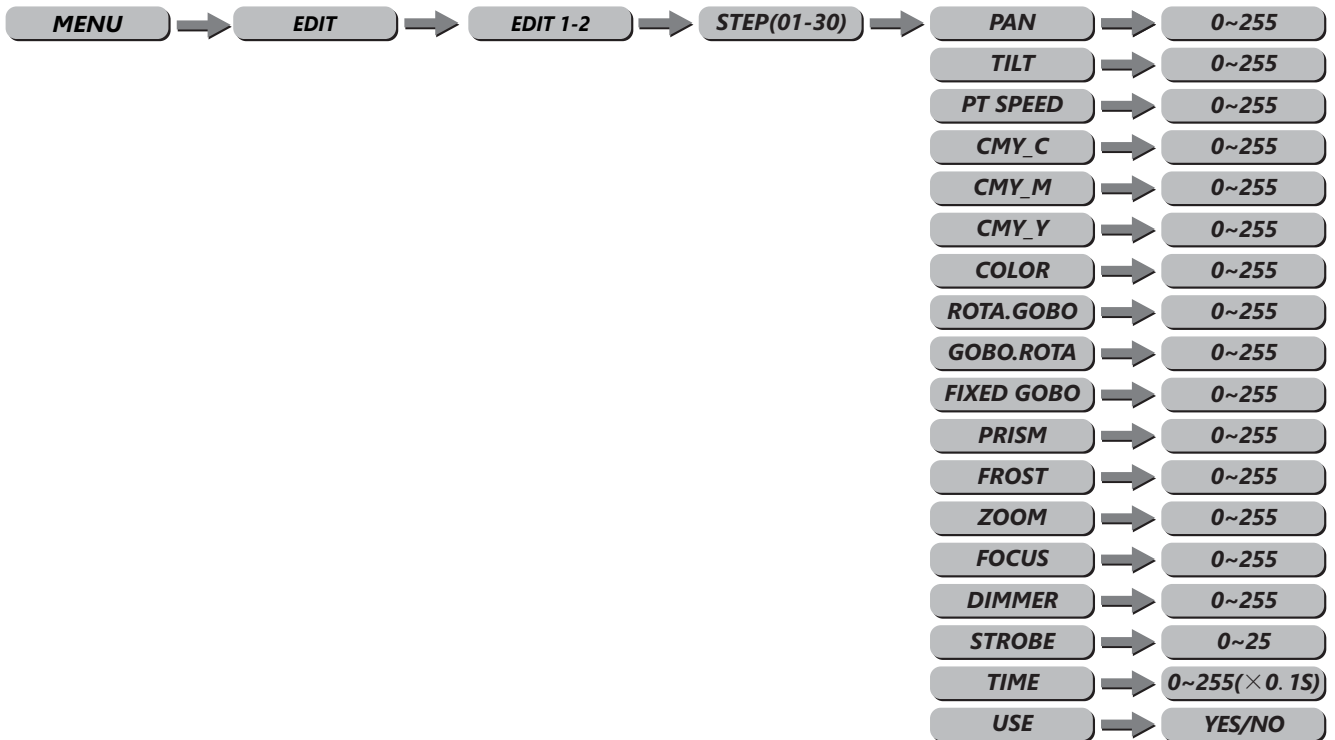
- **RUNMODE** Run Mode Menu - Select required Run Mode
- There are six modes inside:
 - DMX512** Direct DMX
 - ARTNET** Artnet Mode
 - ARTNET To DMX** ARTNET to DMX Mode
 - sACN** sACN Mode
 - AUTO** Auto-Run Mode
 - CUSTOM1** Custom Scene 1
 - CUSTOM2** Custom Scene 2

3.6 Performance(Option)



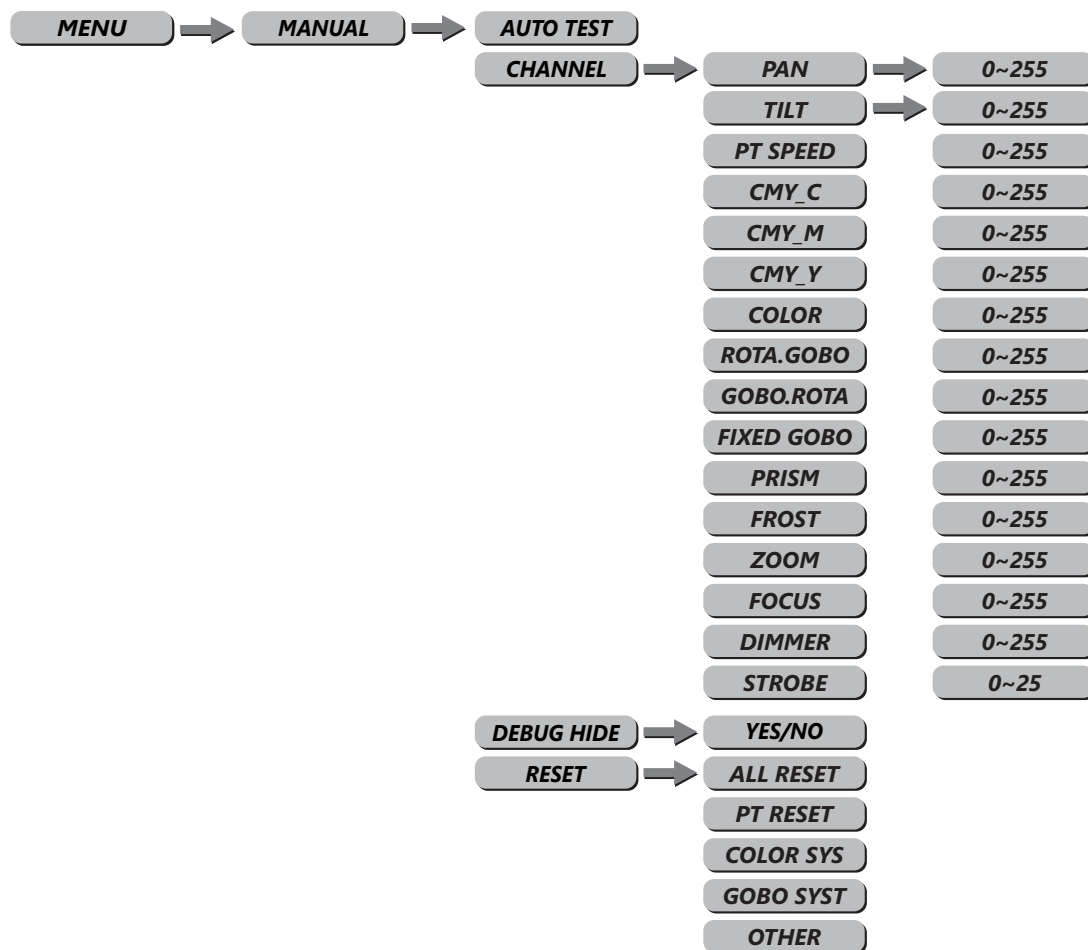
[PAN INVERT]	Invert Pan		
[TILT INVERT]	Invert Tilt		
[FANS]	Set Fan Speeds		
[BLACKOUT]	Blackout Mode		
[DIMMER]	Set Dimmer Curve		
[LED PWM]	Set PWM Frequency		
[DMX ERROR]	Hold or Black with loss of DMX		
[DISPLAY ON]	Display Timeout		
[DISPLAY LOCK]	Display Lock Mode		
[LOAD PARA]	Load Settings		
[SETTING]	Save/Recover Settings		
[NETWORK]	Network Settings		
	[UNIVERS]	Selected Universe	0-255
	[IP MODE]	IP Address Mode	DEFAULT/CUSTOM IP
	[CUSTOM IP EDIT]	Set Custom IP	*.*.*.*
	[NET MASK]	Subnet Mask	255.*.*.*
[PT ENCODER]	Enable/Disable PT Encoders		
[WDMX RESET]	Reset Wireless DMX Receiver to connect to new signal		
[SIGNAL]	Select DMX Source (WDMX/Wired)		
	[ONLY XLR DMX]	Wired DMX Only	
	[XLR DMX FIRST]	WDMX if Wired DMX is not connected	
	[ONLY WDMX]	WDMX Only	
	[WDMX FIRS]	Wired DMX if WDMX is not connected	
	[WDMX TO XLR DMX]	Wireless to Wired	

3.7 EDIT



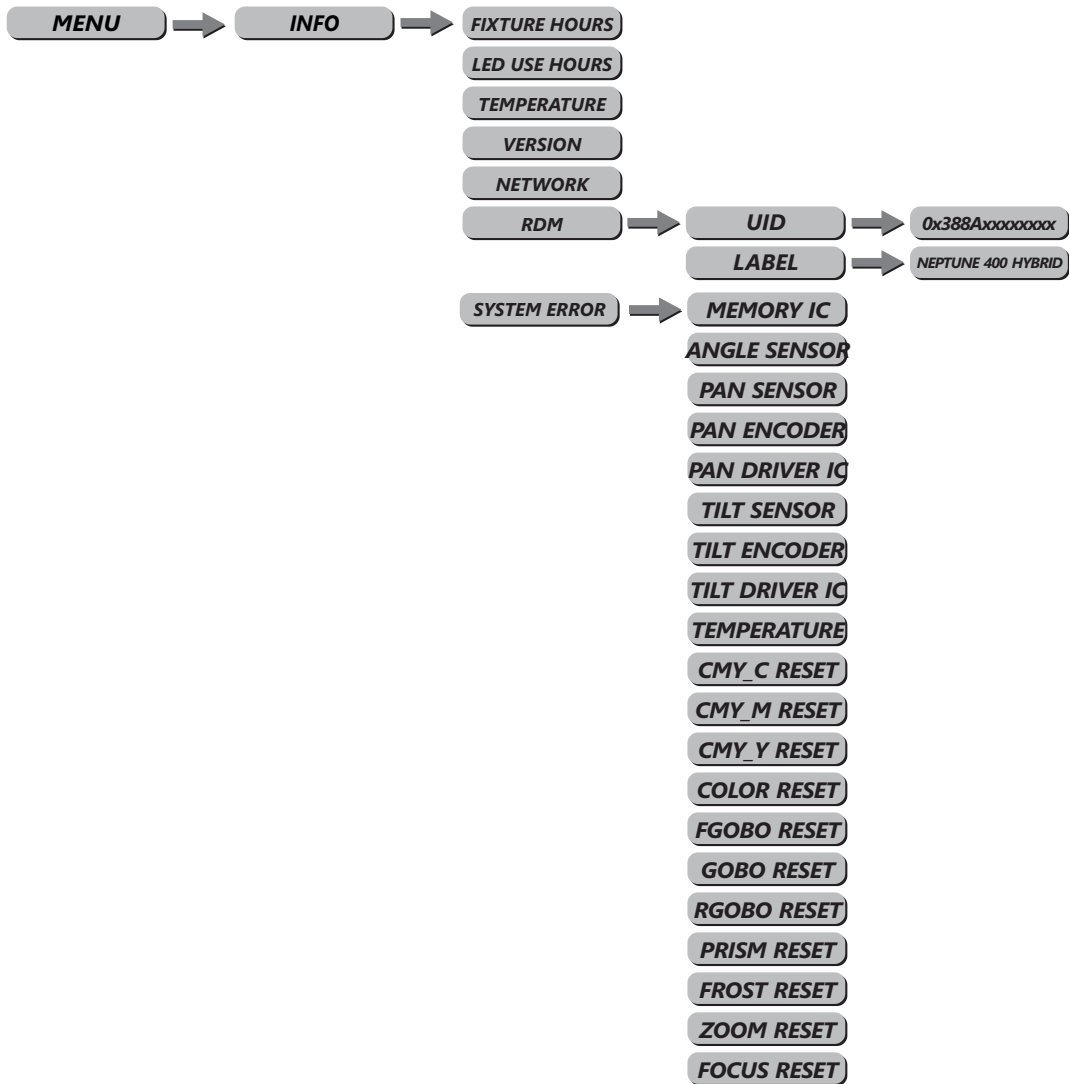
- Enter the **[Edit]** mode to edit the custom programs by adjusting the value of **[PAN]**, **[TILT]**, **[PT SPEED]**, **[CMY-C]**, **[CMY-M]**, **[CMY-Y]**, **[COLOR]**, **[ROTA.GOBO]**, **[GOBO.ROTA]**, **[FIXED GOBO]**, **[PRISM 1]**, **[FROST]**, **[ZOOM]**, **[FOCUS]**, **[DIMMER]**, **[STROBE]**, **[TIME]**.
- Enter **[Use]** and select **[Yes]** to run the steps user need.
- Note If the user wants to loop the created steps, please set the last step's **[TIME]** as 0.
For example, if there are 3 steps, the setting should be as below:
Step 1 **[TIME]** = 4 **[Use]** = Yes
Step 2 **[TIME]** = 5 **[Use]** = Yes
Step 3 **[TIME]** = 0 **[Use]** = Yes

3.8 MANUAL



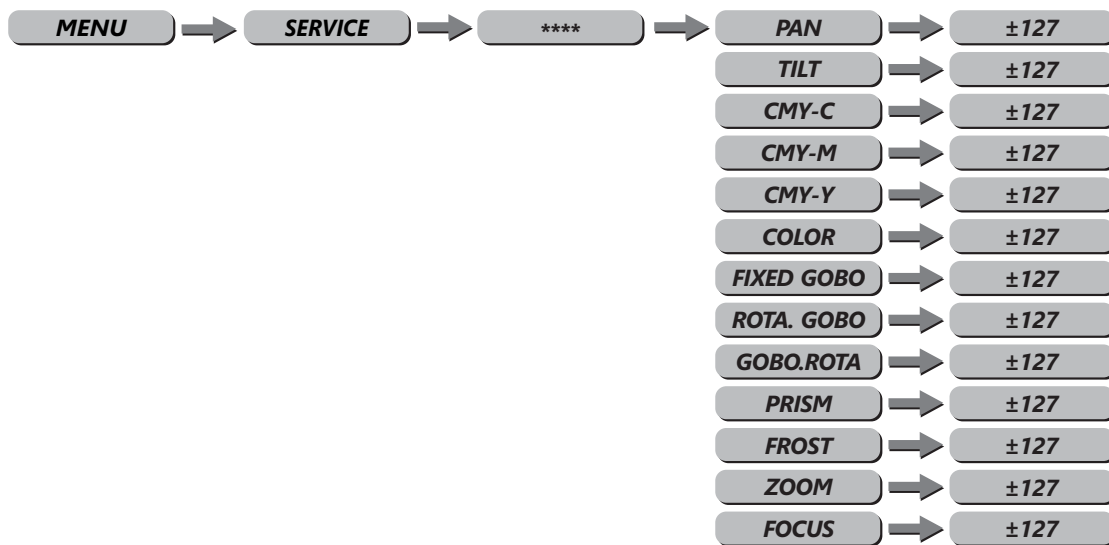
[CHANNEL]	[PAN]	Set Pan	0-255
	[TILT]	Set Tilt	0-255
	[CMY-C]	Set Cyan	0-255
	[CMY-M]	Set Magenta	0-255
	[CMY-Y]	Set Yellow	0-255
	[COLOR]	Set Color Wheel	0-255
	[ROTA.GOBO]	Set Rotating Gobo Wheel	0-255
	[GOBO.ROTA]	Set Rotating Gobo	0-255
	[FIXED GOBO]	Set Fixed Gobo Wheel	0-255
	[PRISM]	Set Prism	0-255
	[FROST]	Set Frost	0-255
	[ZOOM]	Set Zoom	0-255
	[FOCUS]	Set Focus	0-255
	[DIMMER]	Set Dimmer	0-255
	[STROBE]	Set Strobe	0-25
[DEBUG HIDE]	YES/NO	Disables all stepper motors till next reset.	
[RESET]	[ALL RESET]	Reset All	YES/NO
	[PT RESET]	Reset Pan and Tilt	YES/NO
	[COLOR SYS]	Reset CMY, Color wheel	YES/NO
	[GOBO SYST]	Reset Gobo Wheels	YES/NO
	[OTHER]	Reset Zoom, Prism, Frost	YES/NO

3.9 INFO



[INFO] Information Menu	
[FIXTURE HOURS]	Total power on hours for fixture
[LED USE HOURS]	LED total usage
[TEMPERATURE]	Current LED temperature
[VERSION]	Current Firmware Version
[NETWORK PARA]	Network Information
[RDM]	RDM ID
[SYSTEM ERROR]	Error Reporting Information

3.10 SERVICE



[SERVICE] Enter password to enter the options page.		
[PAN]	Pan fine adjustment	+/- 127
[TILT]	Tilt fine adjustment	+/- 127
[COLOR]	Color wheel fine adjustment	+/- 127
[CMY-C]	Cyan fine adjustment	+/- 127
[CMY-M]	Magenta fine adjustment	+/- 127
[CMY-Y]	Yellow fine adjustment	+/- 127
[FIXED GOBO]	Fixed gobo fine adjustment	+/- 127
[ROTA. GOBO]	Rotating gobo wheel fine adjustment	+/- 127
[GOBO.ROTA]	Rotating gobo index fine adjustment	+/- 127
[PRISM]	Prism fine adjustment	+/- 127
[FROST]	Frost fine adjustment	+/- 127
[FOCUS]	Focus fine adjustment	+/- 127
[ZOOM]	Zoom fine adjustment	+/- 127

4 Using a DMX512 Controller

4.1 Channel Assignment

This fixture has three DMX personalities: **【BASIC】** , **【STANDARD】** , **【EXTEND】**.

BASIC (20CH)	STANDARD (24CH)	EXTEND (28CH)	VALUE	FUNCTION
CH.1	CH.1	CH.1	000~255	PAN 0-540°
-	CH.2	CH.2	000~255	PAN FINE
CH.2	CH.3	CH.3	000~255	TILT 0-270°
-	CH.4	CH.4	000~255	TILT FINE
CH.3	CH.5	CH.5	000~255	PT Speed
CH.4	CH.6	CH.6	000~255	CYAN
CH.5	CH.7	CH.7	000~255	MAGENTA
CH.6	CH.8	CH.8	000~255	YELLOW
CH.7	CH.9	CH.9	COLOUR MACRO	
			000~010	No Function
			011~020	L106
			021~030	L194
			031~040	L019
			041~050	R08
			051~060	L213
			061~070	R80
			071~080	L202
			081~090	L328
			091~100	R3314
			101~110	L101
			111~120	L768
			121~128	No Function
			129~147	CYAN 100% / MAGENTA UP / YELLOW 0%
			148~166	CYAN DOWN / MAGENTA 100% / YELLOW 0%
			167~185	CYAN 0% / MAGENTA 100% / YELLOW UP
			186~204	CYAN 0% / MAGENTA DOWN / YELLOW 100%
205~223	CYAN UP / MAGENTA 0% / YELLOW 100%			
224~242	CYAN 100% /MAGENTA 0% / YELLOW DOWN			
243~255	CYAN 100%/MAGENTA UP/YELLOW 0%			

BASIC (20CH)	STANDARD (24CH)	EXTEND (28CH)	VALUE	FUNCTION
CH.8	CH.10	CH.10	000~255	CMY SPEED(SPEED 100%->1)
CH.9	CH.11	CH.11	COLOR WHEEL1 7+1	
			000~007	WHITE
			008~014	COLOR 1
			015~021	COLOR 2
			022~028	COLOR 3
			029~035	COLOR 4
			036~042	COLOR 5
			043~049	COLOR 6
			050~056	COLOR 7
			057~063	COLOR 8
			064~191	COLOR WHEEL1 0-360°
			192~222	COLOR WHEEL1 RAINBOW EFFECT(SPEED 100%->1)
			223~224	STOP
			225~255	COLOR WHEEL1 RAINBOW EFFECT(SPEED 1->100%)
-	-	CH.12	000~255	COLOR WHEEL FINE
CH.10	CH.12	CH.13	ROTATING GOBO 8+1	
			000~010	OPEN
			011~016	ROTATING GOBO 1
			017~022	ROTATING GOBO 2
			023~028	ROTATING GOBO 3
			029~034	ROTATING GOBO 4
			035~040	ROTATING GOBO 5
			041~046	ROTATING GOBO 6
			047~052	ROTATING GOBO 7
			053~058	ROTATING GOBO 8
			059~066	ROTATING GOBO 1 SHAKE (SPEED 1 —> 100%)
			067~074	ROTATING GOBO 2 SHAKE (SPEED 1 —> 100%)
			075~082	ROTATING GOBO 3 SHAKE (SPEED 1 —> 100%)
			083~090	ROTATING GOBO 4 SHAKE (SPEED 1 —> 100%)
			091~098	ROTATING GOBO 5 SHAKE (SPEED 1 —> 100%)
			099~106	ROTATING GOBO 6 SHAKE (SPEED 1 —> 100%)
			107~114	ROTATING GOBO 7 SHAKE (SPEED 1 —> 100%)
			115~122	ROTATING GOBO 8 SHAKE (SPEED 1 —> 100%)
123~127	OPEN			

BASIC (20CH)	STANDARD (24CH)	EXTEND (28CH)	VALUE	FUNCTION
			128~190	ROTATING GOBO FLOWING WATER EFFECT (SPEED 100 → 1%)
			191~192	STOP WATER EFFECT
			193~255	ROTATING GOBO FLOWING WATER EFFECT (SPEED 1 → 100%)
CH.11	CH.13	CH.14	GOBO ROTATING	
			000~120	ROTATING GOBO ANGLE ADJUSTMENT (0 → 360°)
			121~125	STOP
			126~165	ROTATING GOBO SHAKE (SPEED 1 → 100%)
			166~170	STOP
			171~210	ROTATING GOBO POSITIVE ROTATION (SPEED 100% → 1)
			211~215	STOP
			216~255	ROTATING GOBO REVERSE ROTATION (SPEED 1 → 100%)
-	CH.14	CH.15	000~255	GOBO ROTATING FINE
CH.12	CH.15	CH.16	FIXED GOBO WHEEL12+1	
			000~010	WHITE
			011~014	FIXED GOBO 1
			015~018	FIXED GOBO 2
			019~022	FIXED GOBO 3
			023~026	FIXED GOBO 4
			027~030	FIXED GOBO 5
			031~034	FIXED GOBO 6
			035~038	FIXED GOBO 7
			039~042	FIXED GOBO 8
			043~046	FIXED GOBO 9
			047~050	FIXED GOBO 10
			051~054	FIXED GOBO 11
			055~058	FIXED GOBO 12
			059~063	FIXED GOBO 1 SHAKE (SPEED 1 → 100%)
			064~068	FIXED GOBO 2 SHAKE (SPEED 1 → 100%)
			069~073	FIXED GOBO 3 SHAKE (SPEED 1 → 100%)
			074~078	FIXED GOBO 4 SHAKE (SPEED 1 → 100%)
			079~083	FIXED GOBO 5 SHAKE (SPEED 1 → 100%)
			084~088	FIXED GOBO 6 SHAKE (SPEED 1 → 100%)
			089~093	FIXED GOBO 7 SHAKE (SPEED 1 → 100%)
			094~098	FIXED GOBO 8 SHAKE (SPEED 1 → 100%)
099~103	FIXED GOBO 9 SHAKE (SPEED 1 → 100%)			

BASIC (20CH)	STANDARD (24CH)	EXTEND (28CH)	VALUE	FUNCTION
			104~108	FIXED GOBO 10 SHAKE (SPEED 1 > 100%)
			109~113	FIXED GOBO 11 SHAKE (SPEED 1 > 100%)
			114~118	FIXED GOBO 12 SHAKE (SPEED 1 > 100%)
			119~127	WHITE
			128~190	STATIC GOBO JUMPING WATER EFFECT (SPEED 100 > 1%)
			191~192	STOP WATER EFFECT
			193~255	STATIC GOBO FLOWING WATER EFFECT (SPEED 1 > 100%)
			PRISM	
			000~010	WHITE
			011~145	PRISM INSERT AND ADJUST THE ANGLE (0 → 360°)
			146~150	STOP
			151~200	PRISM INSERT AND POSITIVE ROTATION (SPEED 100% → 1)
			201~205	STOP ROTATION
			206~255	PRISM INSERT AND REVERSE ROTATION (SPEED 1 → 100%)
			FROST	
			0-10	NO FUNCTION
			11-255	LINEAR CUT (0-100%)
CH.14	CH.17	CH.18	0-255	ZOOM
-	-	CH.20	0-255	ZOOM FINE
CH.16	CH.19	CH.21	0-255	FOCUS
-	-	CH.22	0-255	FOCUS FINE
			FOCUS TRACKING	
			000~012	NO FUNCTION
			013~039	5 METER
			040~066	7 METER
			067~093	9 METER
			094~120	11 METER
			121~147	13 METER
			148~174	15 METER
			175~201	17 METER
			202~228	19 METER

BASIC (20CH)	STANDARD (24CH)	EXTEND (28CH)	VALUE	FUNCTION
			229~255	21 METER
-	-	CH.24	000~255	AUTO FOCUS FINE
CH.18	CH.21	CH.25	000~255	DIMMER
-	CH.22	CH.26	000~255	DIMMER FINE
CH.19	CH.23	CH.27	STROBE	
			000~009	NO FUNCTION
			010~099	STROBE (SLOW > FAST)
			100~109	NO FUNCTION
			110~179	LIGHTNING STROBE
			180~189	NO FUNCTION
			190~255	RANDOM STROBE
CH.20	CH.25	CH.29	CONTROL	
			000~010	NO FUNCTION
			011~020	PAN/TILT BLACK ACTIVATED
			021~030	PAN/TILT BLACK DEACTIVATED
			031~040	PAN INVERT
			041~050	TILT INVERT
			051~060	PAN/TILT INVERT OFF
			061~070	FAN SLOW
			071~080	FAN NORMAL
			081~090	FAN FAST
			091~100	FAN AUTO
			101~110	DIM CURVE 4
			111~120	DIM CURVE 3
			121~130	DIM CURVE 2
			131~140	DIM CURVE 1
			141~150	DIM CURVE 0
			151~160	1200Hz
			161~170	2400Hz
			171~180	4000Hz
			181~190	6000Hz
			191~200	25000Hz
201~210	ALL RESET			
211~220	PAN/TILT RESET			
221~230	COLOR SYSTEM RESET			

BASIC (20CH)	STANDARD (24CH)	EXTEND (28CH)	VALUE	FUNCTION
			231~240	GOBO RESET
			241~255	FOCUS-ZOOM-PRISM-FROST RESET